

Design: **Santiago Sevillano**
Product: **3-rings sunshade**
Sizes: **cm 199x141x200h (78"x56"x87"h)**

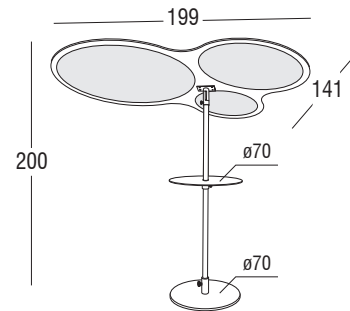
FEATURES



Frame: Aluminum with metal base, polyester powder coating.
Stem and swivel rack in 316 stainless steel

Batylane: White, Corda

Finishings: White, Corda



Net weight unit 65

Gross weight 77,5

Units per package 4

Packages sizes base cm 74x74x8h
stem cm 20x20x206h
frame cm 144x203x4h
plan reg. cm 74x74x11h

Packages volume m³ 0,28

Stackable NO

FINISHINGS

UV, marine environment, scratch resistant

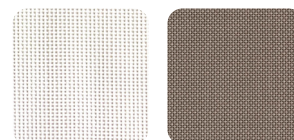


White

Corda

BATYLINE

UV-resistant



Batylane White

Batylane Corda

FABRICS

Different types of fabrics available in:
Acrylic - Polypropylene - Polyester - PVC

See the collection in the catalog and online.